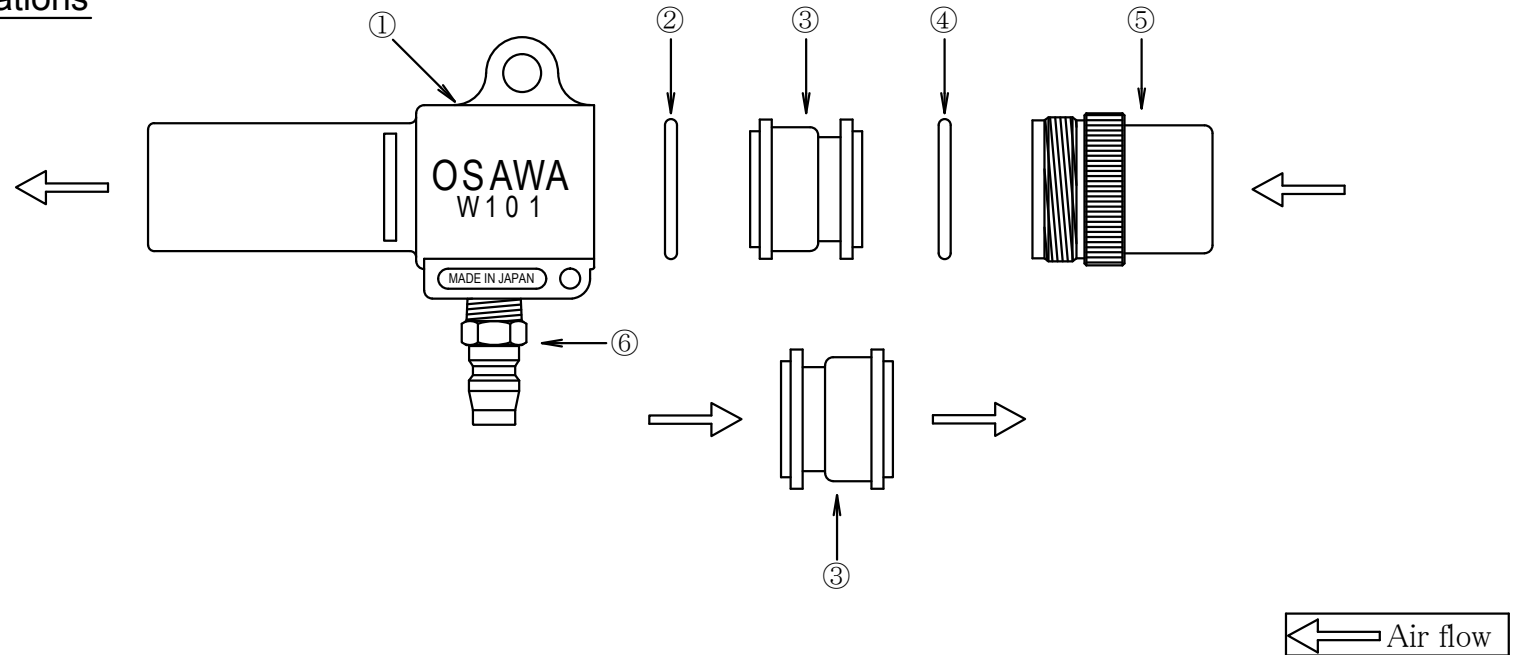
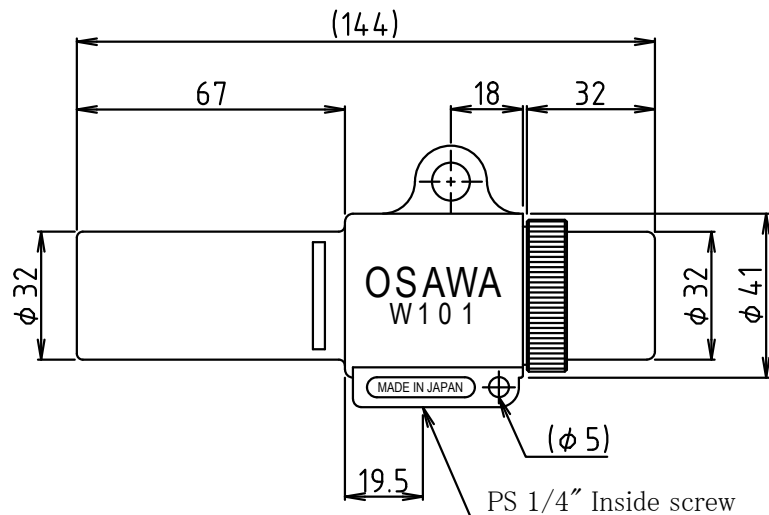
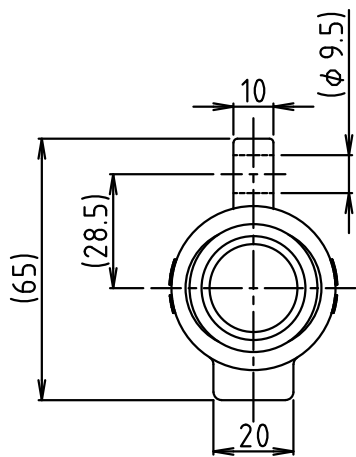


Wonder-Gun W101-III-TH Specifications



③ To change the direction of air flow, just reposition the suction nozzle. Please confirm the direction before operation.



⑥	Air coupler	Iron (Chrome plating)
⑤	Set column	Aluminum (Anodic oxide coating)
④	O ring	NBR G-30
③	Suction nozzle	Aluminum
②	O ring	NBR G-30
①	Wonder-Gun	Aluminum · ADC-12
Name of article		Material · Summaries

Customer:		Issue Date	
Description:	Drawn by:		
	Directed by:		
	Approval:		
Drawing date:	Scale:	Drawing Number	
2007/07/10	--	ESI-17009-1	